

# PreciMA C 800 E

PreciCONTROL based Measuring unit

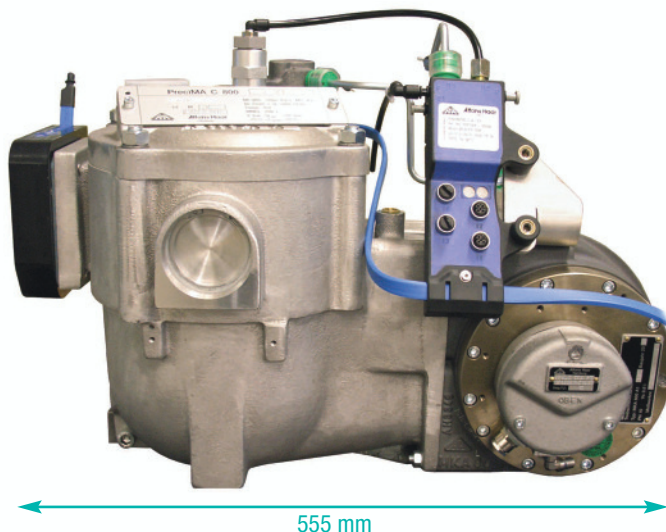


## The PreciMA C 800 E saves cost: space, weight and time

**Low system weight** (approx. 30 kg) and  
**minimum space requirement**

**Fast and simple product change** in combination  
with Alfons Haar self-priming vane pump

**No wet return pipe required**



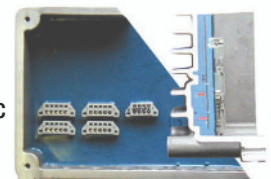
MID approved  
DE-10-MI005-PTB004

Complete system ATEX approved

Completely calibrated ex works  
according to MID \* - only  
installation required

- Wide range of configuration (for hose reel or/and dry line deliveries)
- **Fully automatic control** of all tank truck functions incl. collector, pump and foot valves – no pneumatic control blocks or logic modules are necessary
- Only one interface with simple operation and installation – no additional terminal boxes are necessary
- By using a state control the CountMASTER prevents that gas/bubbles can come into the meter and optimise so significant the delivery performance of the metering system

- Fail-safe electronic because of potting and burn-in test. Potting protects the electronic components against environmental risks
- By using the tamper-proof bus system **PreciCONTROL** the complete metering system becomes safe against any fraudulent manipulations (see separate brochure)
- Optional Product Return (PR) with patented electronic flow rate control in the PR valve for a product change with product quality assurance and stock reconciliation (see separate brochure)



\* When placing on the market according to MID Annex D the calibration-related parameters will be pre-configured by Alfons Haar

# PreciMA C 800 E

PreciCONTROL based Measuring unit

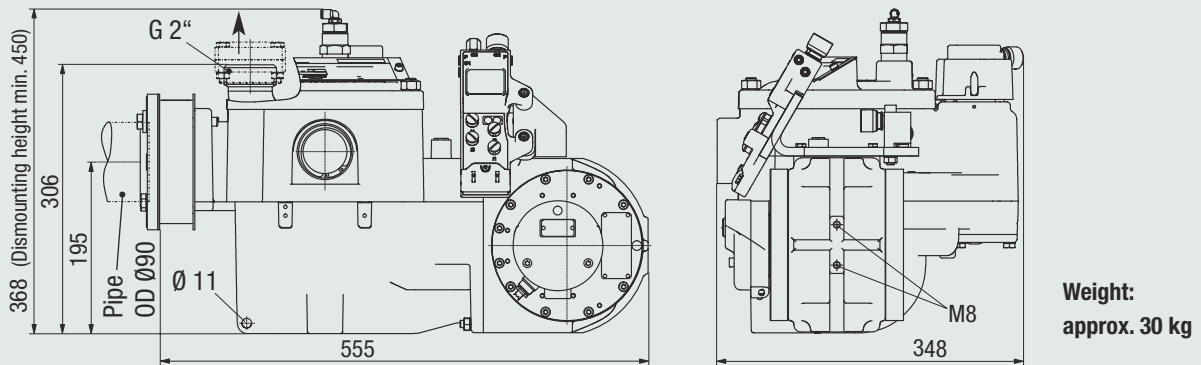


## COMPONENTS

- 1 PreciMA C 800 E V1
- 2 Gas bubble detector PreciNODE SME
- 3 Pneumatic-electronic control unit PreciNODE C ...
- 4 Controller CountMASTER
- 5 Printer with interface (data transfer to on-board computer or office via the standardised FTL interface according to EN 15969-1 is possible)

\* The Alfons Haar measuring unit approved according to MID Annex D, can be started up directly after installation. A calibration of the vehicle is not necessary!

## DIMENSIONS



## TECHNICAL DATA

Measuring range:	60 l/min up to 800 l/min
Min. measuring quantity:	200 l
Measuring product:	Liquids, except water, with a viscosity < 20 mPas at 20° C (e.g. unleaded, super unleaded, diesel, kerosene, gas oil, biodiesel)
Max. operation overpressure:	10 bar (with 2" hose reel up to 800 l/min possible)
Power supply:	24 V DC on-board electronic unit (15 .. 32V)

## OPTIONS

The central controller, CountMASTER 4, can be extended by software upgrade:

- **RPMS** (Retained Product Monitoring System)
- **SPDS** (Sealed Parcel Delivery System)
- **Product Return with Flow Check**

(for more information see separate brochures)

**Alfons Haar delivers the measuring unit calibrated and sealed according to MID throughout the EU!**