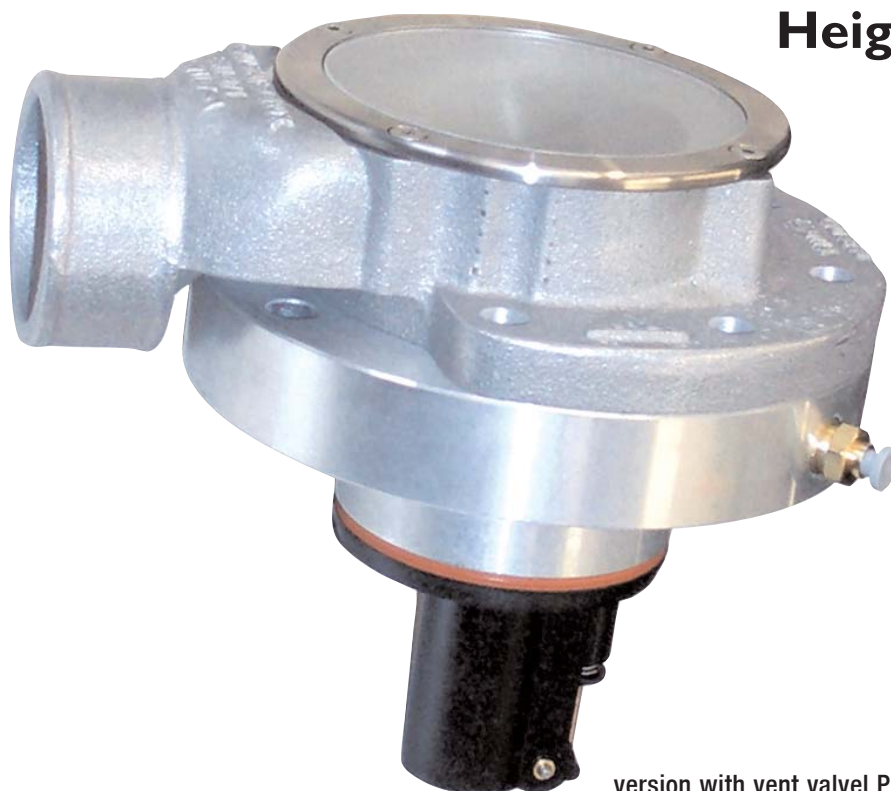


**LTD 3B-60**  
Detonation Arrestor, flat construction



**According to EN 12874**

**Construction  
Height 73mm!**



version with vent valvel PKVF 65/1B

**Detonation arrestor, fire and detonation safe according to EN 12874,  
with hose mounting for recovery line**

- Enlarges usable tank capacity
- Flat installation with countersunk man hole cover
- Low installation height (73 mm) with vent valve PKVF 65/1B and flat sealing

# LTD 3B-60

## Detonation Arrestor, flat construction



**High flow rate at gravity discharge**  
**Ideal for application with man hole cover DO 500**  
**and weld-in ring ESR 500.**

### Technical data LTD 3B-60 (part no. 2180904)

(O-ring included)

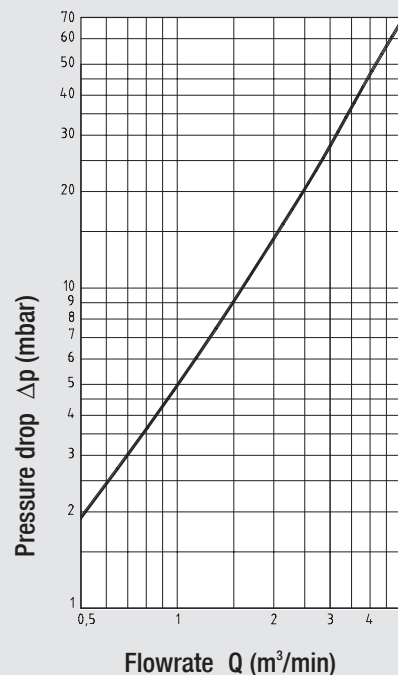
Hose connection DN60

Material:	Housing	Aluminium
	Fire cap	plastics
	Flame arrestor	stainless steel

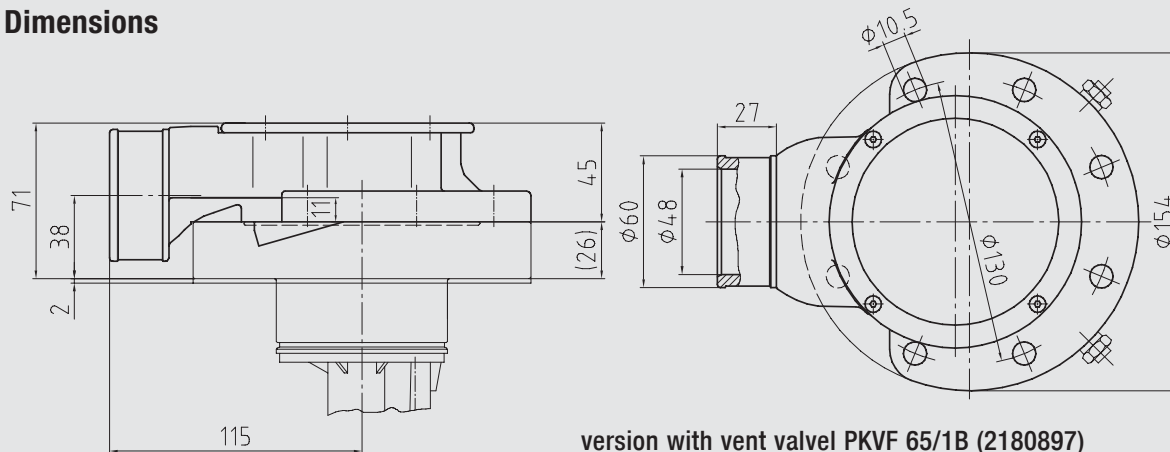
Working temperature range

Normal mode: -40 bis +50°C

Weight: 1,3 kg

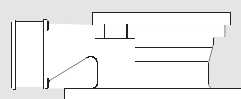


### Dimensions



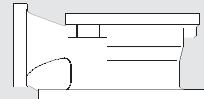
### Alternatives

**LTD 1B-60**  
 Art. Nr. 1667811



with hose connection

**LTD 1B**  
 Art. Nr. 1320960



with oval flange