

FPO 100 TANK TRUCK VANE PUMP



SELF-PRIMING VANE PUMP

Depending on selected pump size up to 1,615 l/min with $\Delta p=7$ bar



Product shown with optional accessoires

CE II 2 G Ex h IIA T2 ... T4 Gb X

Operation without a flame arrester is possible in compliance with the certified ATEX conditions.

Not only stainless steel will do!

A combination of modern materials allows for a wide operational range

Optimal with integrated drive (as shown)

FEATURES

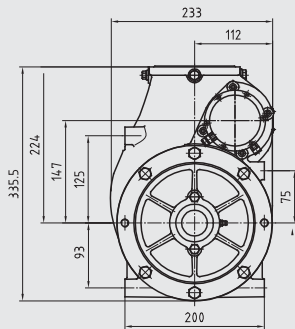
- Computer optimized 4" suction cross section for a quiet pump operation and high discharge rate
- Large integrated pneumatic or mechanical by-pass valve
- Ideal 4" block flange for connection of the pipework to the pump in the tank truck
- Very good blow down for product change
- Excellent working life and simple service
- PTO or hydraulic drive
- Ideal for hydraulic drive with an efficiency of 80% and more

FPO 100 TANK TRUCK VANE PUMP

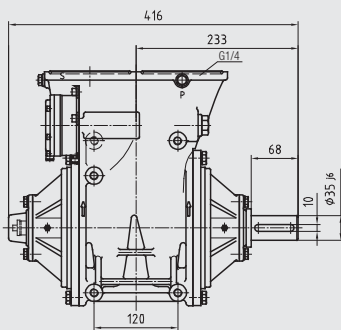


DIMENSIONS

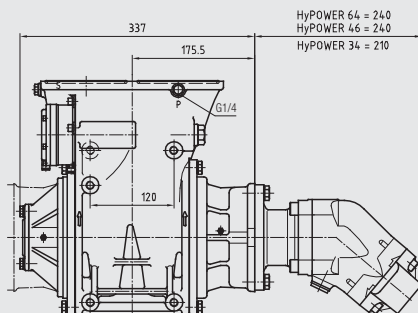
FPO G 100-



FPO... 100-1135

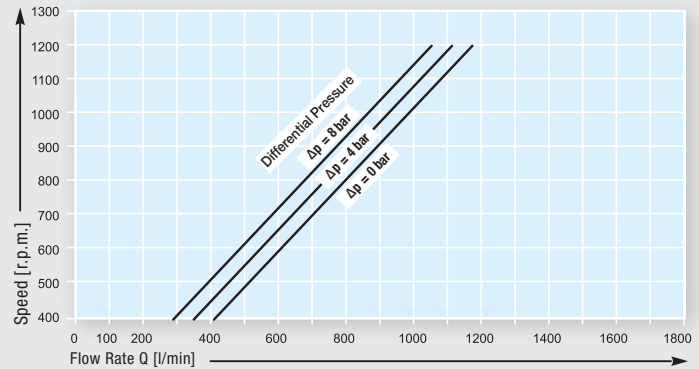


FPO S 100-1308

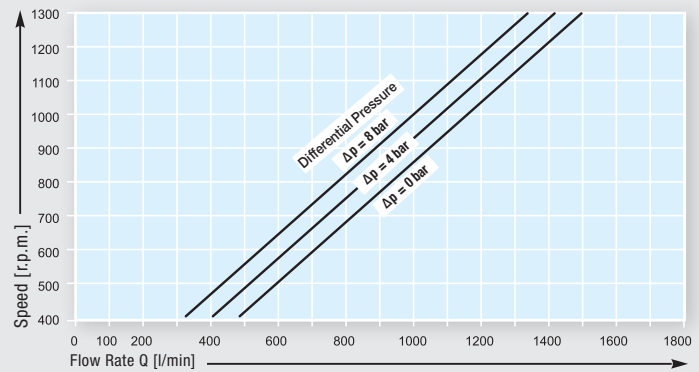


FLOW RATE

FPO... 100-975



FPO... 100-1135



FPO... 100-1308

