

MultiPID

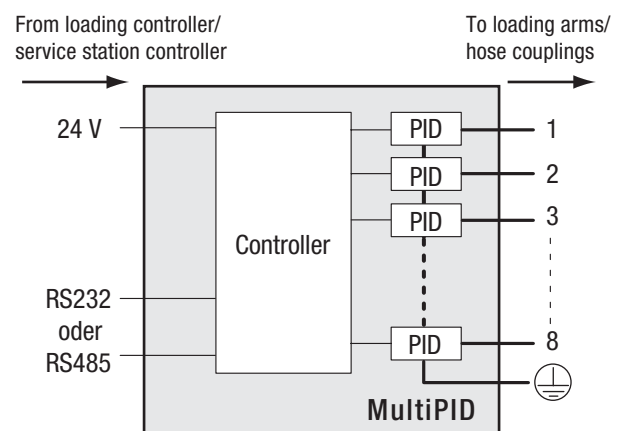
Multiple Product Identification Device



For data transfer between depot and tank truck or tank truck and service station

Product identification device with digital interface for bi-directional communication according to DIN EN 14116

- Tank truck code
- Compartment code
- Depot code
- Gantry Code
- Loading arm code
- Delivered volume in liter
- Product code, among other data



- MultiPID (Multiple Product Identification Device) implements 8 freely configurable PIDs
- Enables bi-directional communication between depot loading controller and tank truck or service station controller and tank truck.
- Optional stand-alone operation, setup of PID configurations via PC/Laptop

CE 0044

IBExU 08 ATEX 1053

Ex II (1)2G Ex e mb [ia] IIB T4

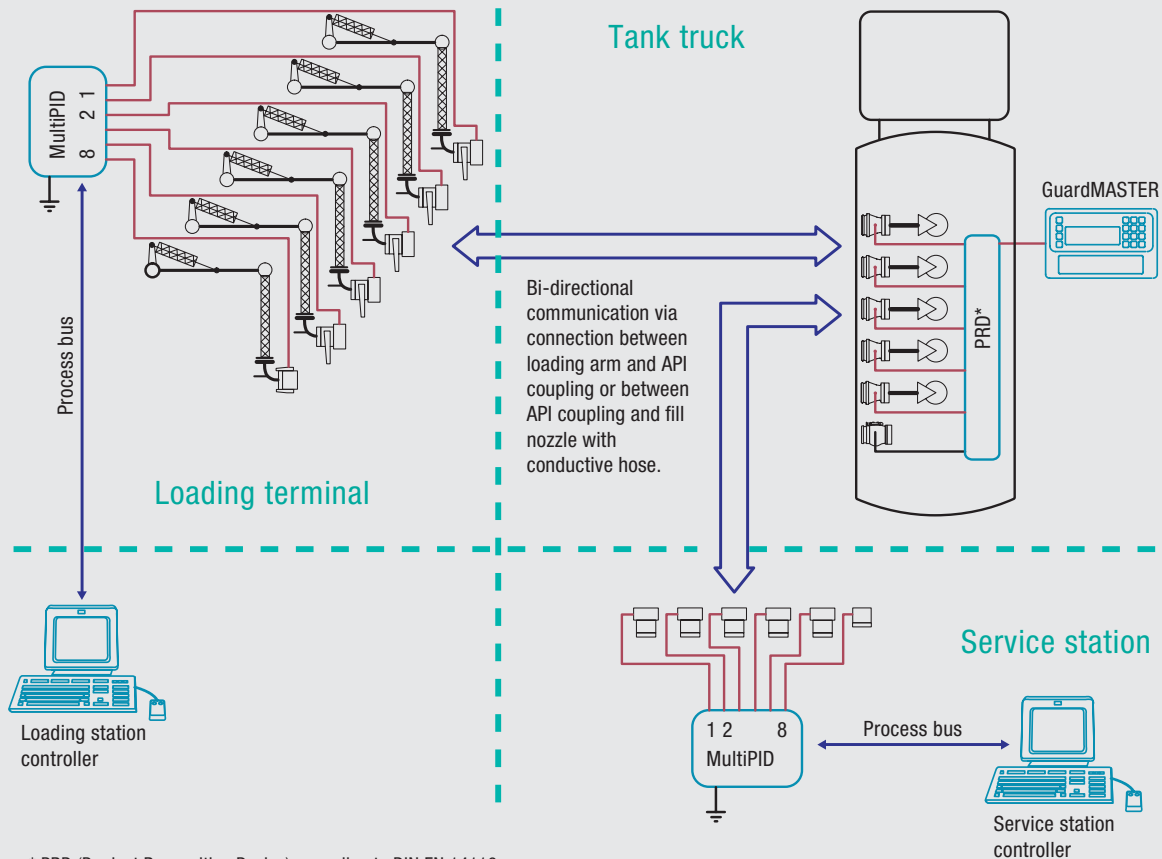
MultiPID

Multiple Product Identification Device



SCHEMATIC DIAGRAM

Digital interface for the product identification system according to DIN EN 14116



* PRD (Product Recognition Device) according to DIN EN 14116

TECHNICAL DATA

Voltage supply:	24 V DC
Protection class:	IP 66
Temperature range:	-25°C to 60°C (-13F to 140F)
Dimensions:	WxHxD 170 x 200 x 90mm
Interface:	MODBUS (RS232/RS485) Other interfaces upon request