

PreciMA 500 Measuring System

for light fuel, diesel, vegetable and engine oil

1 ... 500 mPas



Alfons Haar

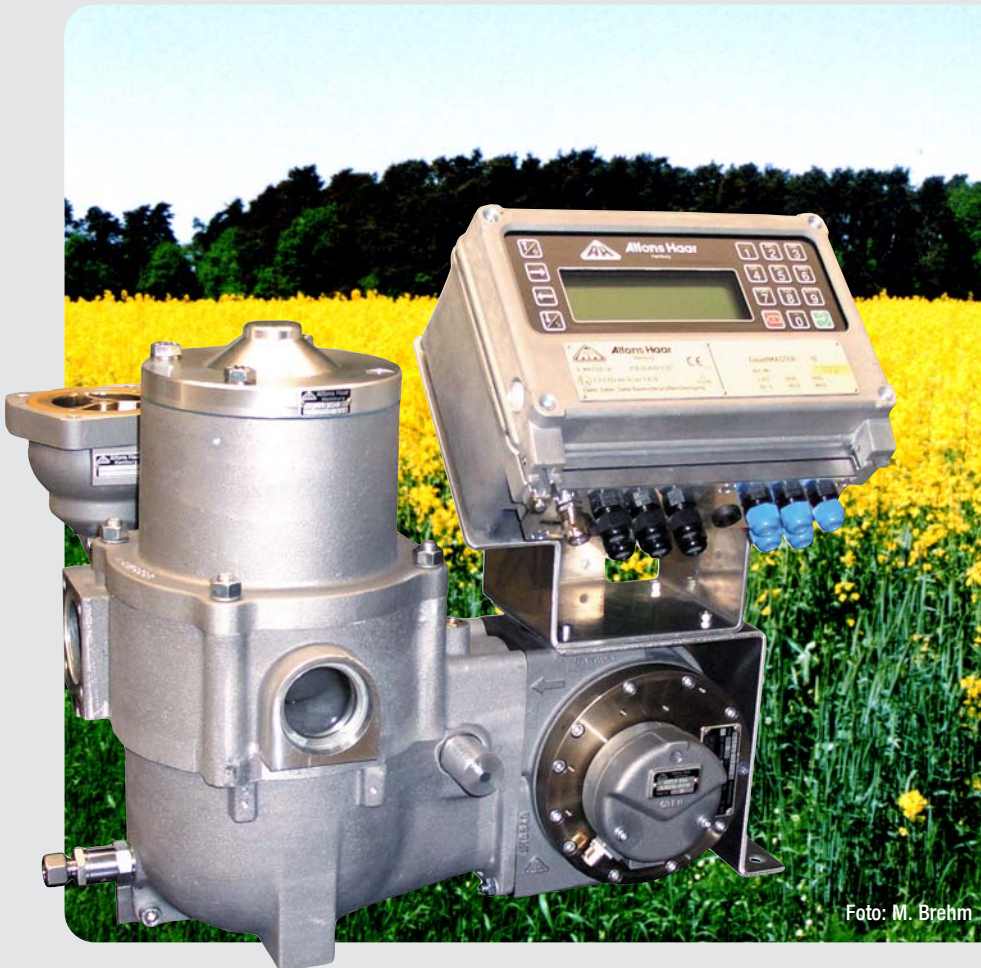


Foto: M. Brehm

Technical

- measuring system for pump operation with vapour return to the tank
- approved for liquids except water, from 1 to 500 mPa·s
- max. flow rate 500 l/min
(flow rates achievable for more viscous products depending on viscosity and flow resistance of discharge distance)
- low dead stock at product change (e. g. 4 liter)
(for different products flushing or cleaning, as necessary)

Optional

- scope of delivery includes holder, mounting equipment, and connections for CountMASTER
- overflow prevention
- second hose connection
- optional connection to second measuring system at electronic counter CountMASTER

Physikalisch-Technische Bundesanstalt
Braunschweig und Berlin

PTB

Innerstaatliche Bauartzulassung
Type-approval certificate under German law

Zulassungsinhaber: Alfons Haar Maschinenbau GmbH & Co.
Issued to: Fangdeckerstr. 67
22547 Hamburg

Rechtsgrundlage: § 13 des Gesetzes über das Mess- und Eichwesen (Eichgesetz)
In accordance with: vom 23. März 1992 (BGBl. I S. 711), zuletzt geändert am 25.11.2003
(BGBl. I S. 2304)

Bauart: Messanlage auf Straßenkankwägen
In regard of: PreciMA 500

Zulassungszeichen: 8.111
Approval mark: **08.09**

Gültig bis: unbefristet
Valid until:

Anzahl der Seiten: 16
Number of pages:

Geschäftszeichen: PTB-1.5-4021132
Reference No.:

Im Auftrag: Braunschweig, 21.12.2005
By order:

Thomas Konrath

Merkmale zur Bauart sowie ggf. statische Beschränkungen, Auflagen und Bedingungen sind in der Anlage beigefügt, die Bestandteil der innerstaatlichen Bauartzulassung ist. Hinweise und eine Fachschulungsbescheinigung erteilt sich auf der ersten Seite der Anlage.
Characteristics of the instrument type approval, restrictions as to the context, special conditions and approval conditions, if any, are set out in the Annex which forms an integral part of the type-approval certificate under German law. For notes and information on legal remedies, see 3rd page of the Annex.

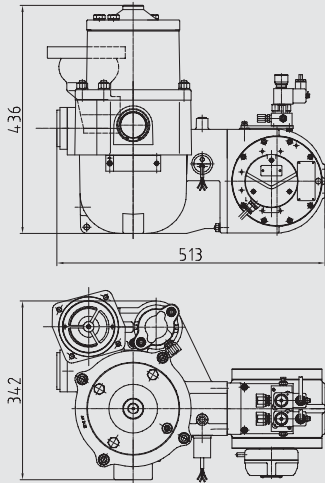
PreciMA 500 Measuring System

for light fuel, diesel, vegetable and engine oil

1 ... 500 mPas



Alfons Haar



TECHNICAL DATA

- weight: approx. 28 kg
 - max. flow rate: 500 l/min
 - measuring minimum: 200 l
 - min. flow rate: 60 l/min
- alternate
- max. flow rate: 250 l/min
 - measuring minimum: 50 l
 - min. flow rate: 50 l/min

Alfons Haar provides a **2 Years warranty** for the CountMASTER!
Modern casting technology assuring persistent reliability.



Incapsulated electronic

CountMASTER facilitates connection of second measuring system.

Optional

Attachment of PreciMIX for additives,
small construction, AI approved, self priming
from low lying additive container.

