

# GPBV 80

PNEUMATICALLY OPERATED  
SAFETY SHUT-OFF VALVE



## LPG Tank Truck Bottom Valve

Multipurpose valve  
for liquid phase  
tank applications



- + Average of 50% less pressure drop
- + Improved pump and system performances
- + Supporting less noise emission
- + Optional closed condition monitoring
- + Stainless steel
- + Fully integrated actuator
- + Unchallenged flat design for easy integration
- + Loss-control monitoring support

# GPBV 80



## PNEUMATICALLY OPERATED SAFETY SHUT-OFF VALVE

### APPLICATION

Medium: liquid phase LPG (GPL)  
 Operation types / usage: Tank filling valve, Tank emptying valve, Check valve

### TECHNICAL FEATURES

Tank flange type/size:  
 ANSI B16.5 300 lbs 3" or EN 1092 PN25 DN80  
 Pressure nominal: PN25  
 Max. tank discharge flow rate 1,760 lpm  
 Max. tank filling flow rate 1,360 lpm  
 Typical pressure drop: 0.1 bar at 1,400 lpm  
 Ambient temperature range: -20°C to +50°C  
 Pneumatic control pressure range / connection for manual or automatic operation: 4 to 8 bar / DA 6  
 Body: EN 1.3955 Cast Stainless Steel  
 Internals: EN 1.4310 Stainless Steel  
 Seals: POM, PTFE, NBR P583  
 Tank to valve flange sealing:  
 O-ring or flat gasket (not included)  
 Optional sensor electrical standard: NAMUR (embedded design) with quick plug-in connection (M12)

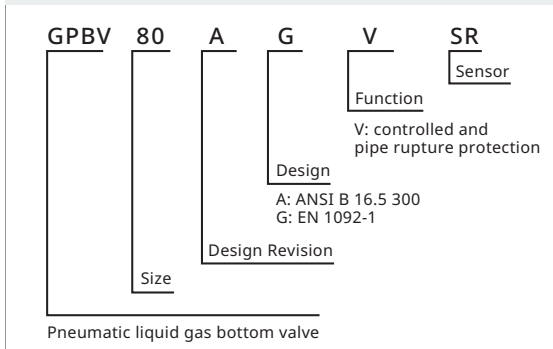
### APPROVALS / PROTECTIONS

ADR/RID type approved according to EN 12252 and EN 13175  
 TPED type approved according EN 13175  
 Optional sensor (embedded)  
 Ex-Marking: II 1 G Ex ia IIB T4 Ga  
 Ingress protection:  $\geq$  IP54  
 Temperature range: -40°C to +60°C

### SAFETY FEATURES

Shut off: by internal spring, fail close  
 Excessive flow shut off at 2,220 lpm  
 Excessive temperature (fire) shut off melting fuse  
 Opens only against closed downstream valve (with back pressure)  
 Loss control monitoring support

### ORDER CODE

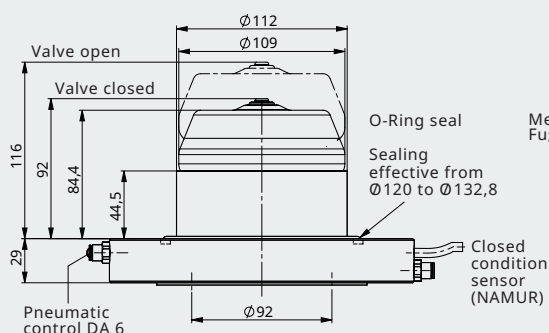


VERSION	PART NUMBER
GPBV 80 AAV	2432758
GPBV 80 AAV SR	2432751
GPBV 80 AGV	2429881
GPBV 80 AGV SR	2383786

Proposed installation shear bolts mounting kit suitable as per EN14433 (ADR applications):

VERSION	PART NUMBER
For DIN type GPBV 80 A G:	M16, part number 2500616
For ANSI type GPBV 80 A A:	M20, part number 2500623

### DIMENSIONAL OUTLINE



EN 1092-PN 25 DN 80

ANSI B16.5 300 DN 3"

