

GPBV 80 AGV

PNEUMATICALLY OPERATED SAFETY SHUT OFF VALVE



LPG BOTTOM VALVE

**Pressure drop up to 50% less than the competition
(0.1 bar at 1,400 l/min)**

- Better pump performance
- Less noise of the pump
- Better flow rate

With unchallenged
flat design for
easy mounting

Type approval
according to
EN 12252:2014
and EN 13175:2014

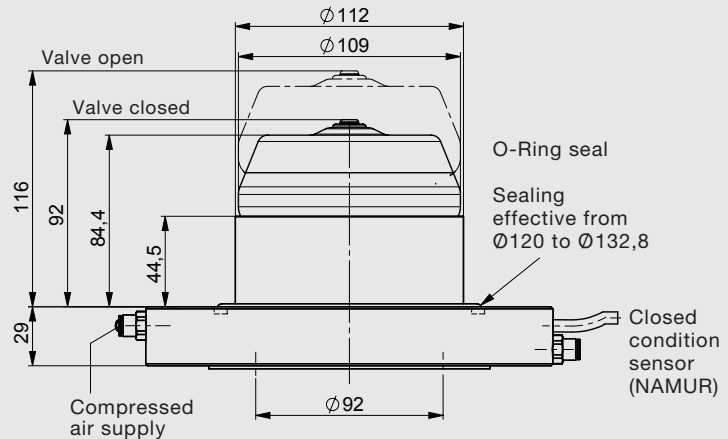


FEATURES

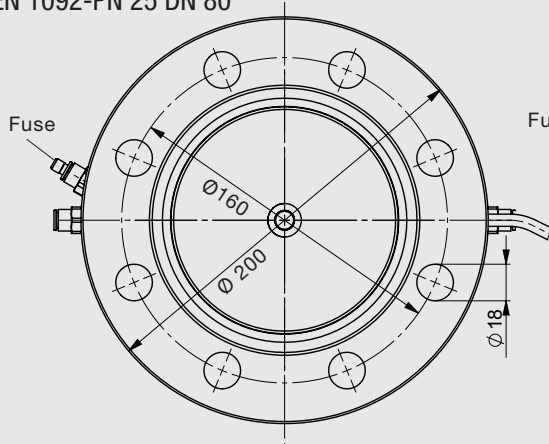
- Excessive flow shut off (1.600L/min), can only open against closed downstream valve (safety)
- Excessive temperature (fire) shut off integrated fuse
- Shut off by internal spring, no external power required
- Stainless steel
- Design in line with well known Alfons Haar emergency shut off valves (bottom valves)
- Completely integrated actuator
- Robust long life design: all seals LPG resistant
- Seals in Viton
- Optional: closed condition monitor NAMUR (SR)
- PN25
- Temperature range -20°C to $+50^{\circ}\text{C}$

GPBV 80 AGV

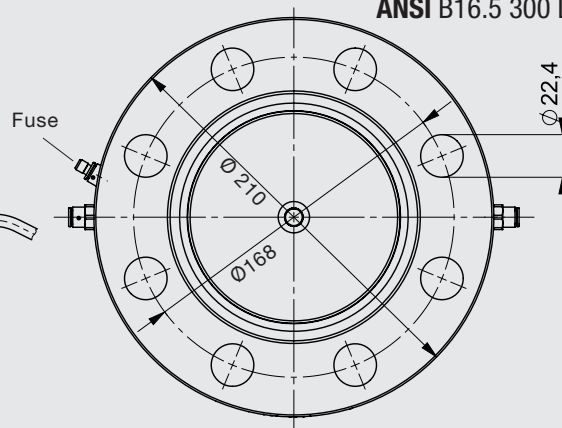
PNEUMATICALLY OPERATED SAFETY SHUT OFF VALVE



STANDARD FLANGE
EN 1092-PN 25 DN 80



FLANGE OPTIONAL
ANSI B16.5 300 DN 80



PreciGAS

Venturi nozzle based measuring system without any moving parts

- No wear
- Extraordinary precision $< 0,1\%$
- Temperature compensation
- Two measuring systems available: 400 and 1000 l/min
- Optional: One or two outlets
- Shipped ready assembled and operational
- MID and ATEX approved

